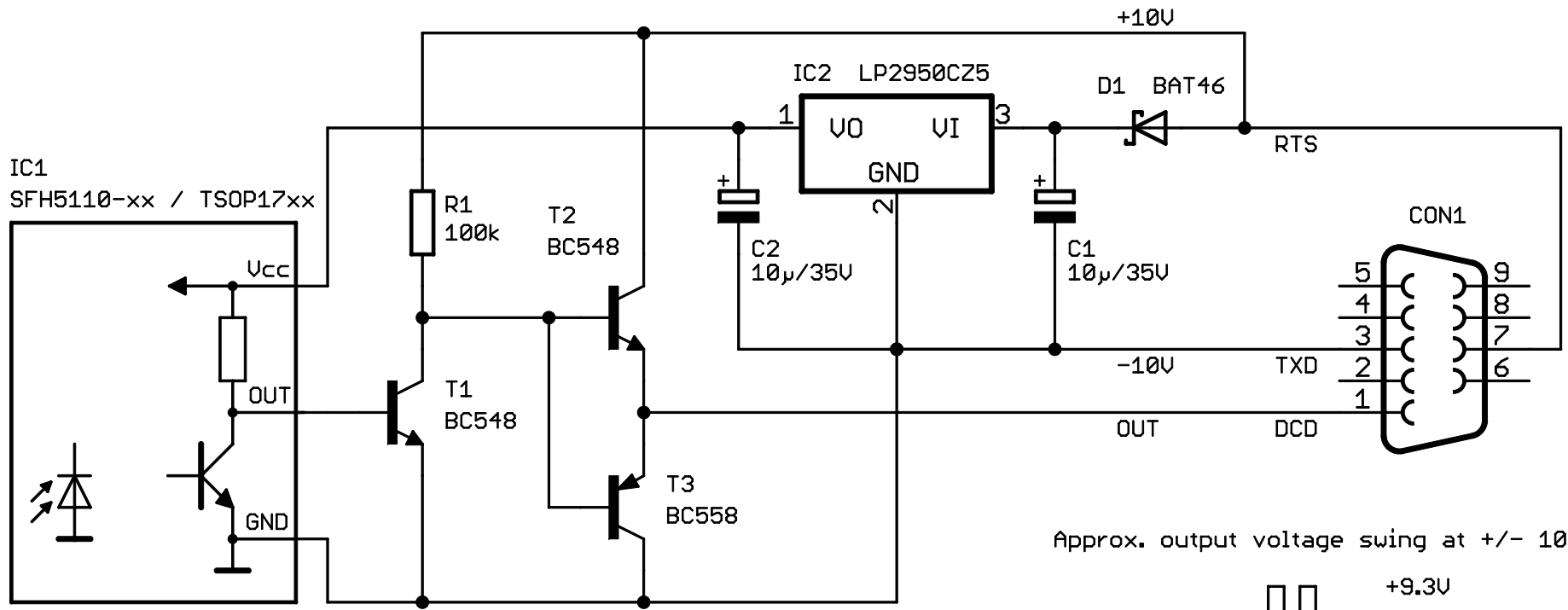
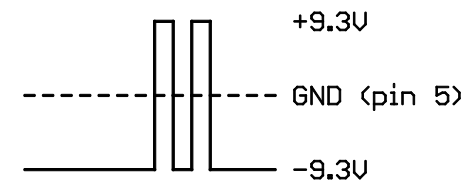


IR receiver for RS232 interface



Approx. output voltage swing at +/- 10V



Notes: 78L05 for IC2 and 1N4148 for D1 may be used if the receiver is connected to a desktop PC

Pin 3 (TXD) is used now for negative supply as DTR might be used by LIRC for transmitting